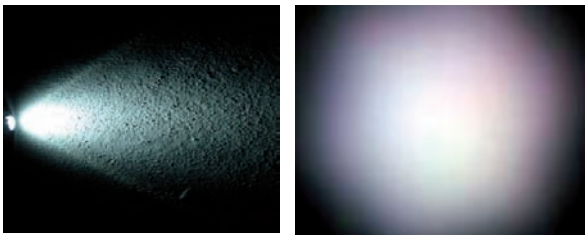


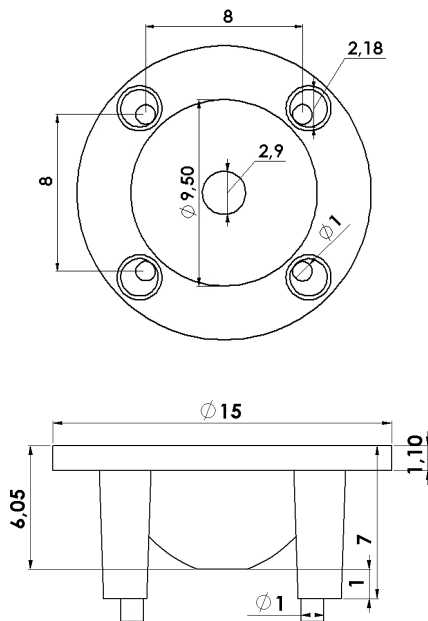


## Линза 50DXP (50°, CREE XP-C/E/G)

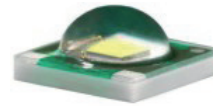


### Габариты. Упаковка

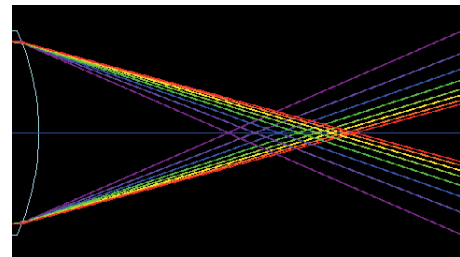
ANGLE	50°
Box Quantiti	400 x 8 = 3200 PCS
Box Size	24 X 24 X 15 CM
Lens Net Kg +/- %3	1,950 Kg
Box Total Kg +/- %3	2,470 Kg
LENS Dimension	H: 7mm D: 15 mm



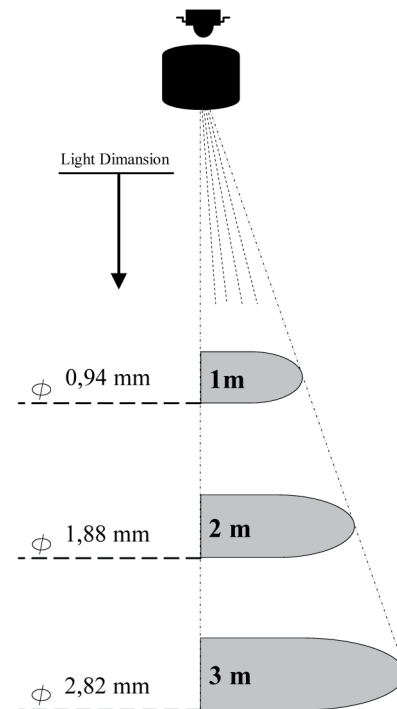
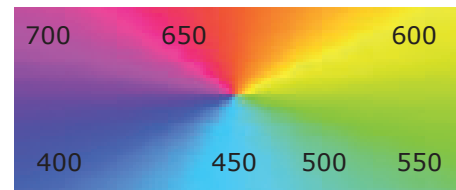
### Типы светодиодов



### Фокус цветowych длин волн



### Цветовая длина волны



**TURLENS USE:** Street, Office, Home, Stage, Architectural, DownLight, &Decorative Lighting

**Lens Material:** Optical Grade Best Available Optical Efficiency with high UV & Temperature Resistance -40°C ~ + 100°C Light Transmittance High Productivity with 2mmTh.

**WARNING :** If you Decide to use Glue only, Please Take Special Care of Correct Positioning