

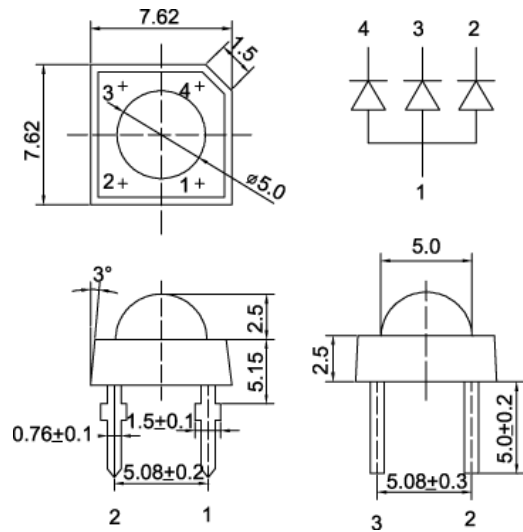
OSTA71B1D (ARL-7605RGBC)

FEATURES

- Super Flux Output
- UV Resistant Epoxy
- 5 φ Standard Directivity
- Water Clear Type
- Superior Weather-resistance

APPLICATIONS

- Toys
- Audio
- Games
- Backing Lighting



Outline DIMENSIONS (Unit: mm, tolerance ± 0.3mm)

1.Common Anode, 2.Blue, 3.Green, 4. Red

Absolute Maximum Rating (Ta=25°C)

Parameter	Symbol	Value		Unit
		Red	Green/Blue	
DC Forward Current	I_{FPM}	50	30	mA
Forward Pulse Current	I_{FM}	120	100	mA
Reverse Voltage	V_R	5	5	V
Power Dissipation	P_D	120	108	mW
Operating Temperature	T_{opr}	-30 ~ +85		°C
Storage Temperature	T_{stg}	-40 ~ +100		°C
Lead Soldering Temperature	T_{sol}	260°C/5sec		°C

Electro-Optical Characteristics (Ta=25°C)

Parameter	Symbol	Test Condition	Min.	Typ.	Max.	Unit
Luminous Intensity	$I_v(\text{Red})$	IF=20mA	---	2300	---	mcd
	$I_v(\text{Green})$			4000		
	$I_v(\text{Blue})$			1200		
Forward Voltage	$V_F(\text{R})$	IF=20mA	1.8	2.1	2.4	V
	$V_F(\text{B/G})$		2.9	3.1	3.6	
Domi. Wavelength*	$\lambda_d(\text{Red})$	IF=20mA	619	624	629	nm
	$\lambda_d(\text{Green})$		520	525	530	
	$\lambda_d(\text{Blue})$		465	470	475	
Reverse Current	I_R	VR=5V	---	---	10	μA
50% Power Angle	$2\theta_{1/2}$	IF=20mA	---	120	---	deg

DIRECTIVITY

